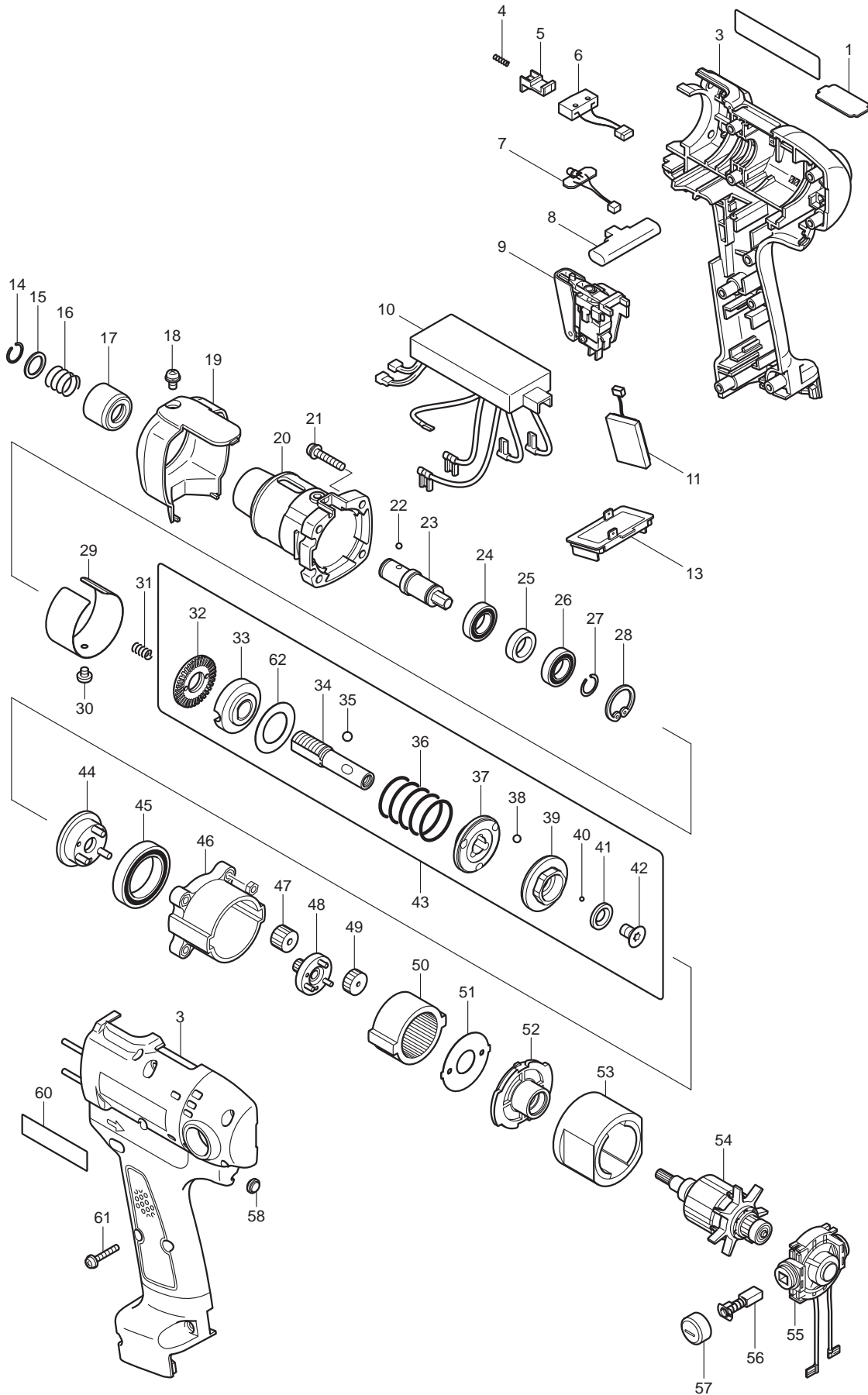




10 - 2011
BFT080FZ
9.6V SCREWDRIVER



Item No.	Type	Sub	Part No.	Description	Qty	Unit
001	1		345344-4	PLATE H, 3 - 8Nm	1	PC.
001	2		345404-2	PLATE H, 3 - 6.5Nm	1	PC.
002			850532-5	NAME PLATE BFT080F	1	PC.
003			183629-8	HOUSING SET	1	SET
		INC.		Item No. 60		
004			233025-1	COMPRESSION SPRING 2	1	PC.
005			418002-6	SWITCH LEVER	1	PC.
006			638274-9	SWITCH UNIT	1	PC.
007			631513-6	LED CIRCUIT	1	PC.
008			417511-2	F/R CHANGE LEVER	1	PC.
009			650536-5	SWITCH C3Z-5-01	1	PC.
010	2		638901-8	* CONTROLLER UNIT	1	PC.
011			631514-4	BUZZER CIRCUIT	1	PC.
013			643800-1	TERMINAL	1	PC.
014			231965-7	RING SPRING 10	1	PC.
015			267143-3	FLAT WASHER 11	1	PC.
016			233005-7	COMPRESSION SPRING 13	1	PC.
017			162218-2	SLEEVE	1	PC.
018	2		265171-2	PAN HEAD SCREW M4X8	1	PC.
019	2		158126-3	CLUTCH CASE COVER COM (OLD#418289-0)	1	PC.
		INC.	892900-6	CAUTION LABEL (TYPE2)	1	PC.
020			317694-7	CLUTCH CASE	1	PC.
021	2		265145-3	+ PAN HEAD SCREW M4X22	4	PC.
022			216019-1	STEEL BALL 3	2	PC.
023			324377-2	SPINDLE M	1	PC.
024			211136-2	BALL BEARING 6801LLB	1	PC.
025			257011-8	RING 12	1	PC.
026			211136-2	BALL BEARING 6801LLB	1	PC.
027			231951-8	RING SPRING 11	1	PC.
028			962111-8	RETAINING RING R-21	1	PC.
029			345350-9	RING 38H	1	PC.
030			265127-5	+ PAN HEAD SCREW M4X4	1	PC.
031			233019-6	COMPRESSION SPRING 5	1	PC.
032	2		324834-0	LOCK NUT M12	1	PC.
033	2		158408-3	ADJUST RING COMPLETE	1	PC.
034			324296-2	SPINDLE	1	PC.
035			216018-3	STEEL BALL 5.0	3	PC.
036			233384-3	COMPRESSION SPRING 19E	1	PC.
037			223146-7	CAM D	1	PC.
038			216024-8	STEEL BALL 4	3	PC.
039			223139-4	CAM A	1	PC.
040			216019-1	STEEL BALL 3	13	PC.
041			267247-1	FLAT WASHER 7	1	PC.
042			266305-0	TORX C.S HEAD SCREW M5X10	1	PC.
043	2		125393-5	CLUTCH ASS'Y F	1	PC.
		INC.		Item No. 32-42,62		
044			153443-6	CARRIER COMPLETE A	1	PC.
045			211375-4	BALL BEARING 6805LLB	1	PC.
046			418004-2	GEAR CASE	1	PC.
047			227050-2	SPUR GEAR 13	3	PC.
048			153446-0	SPUR GEAR 20 COMPLETE	1	PC.
049			227051-0	SPUR GEAR 19	3	PC.
050			227048-9	INTERNAL GEAR 47	1	PC.
051			267774-8	LOCK WASHER	1	PC.
052			418003-4	MOTOR BRACKET	1	PC.
053			638191-3	YOKE UNIT	1	PC.
054			619129-7	ARMATURE	1	PC.
055			638195-5	ENDBELL COMPLETE	1	PC.
056	2		195020-8	CARBON BRUSH CB-434 2PC/SET (W/ ORIGIN)	1	SET

Item No.	Type	Sub	Part No.	Description	Qty	Unit
057			643933-2	BRUSH HOLDER CAP	2	PC.
058			416764-0	LENS	1	PC.
060			819063-3	MAKITA LABEL	1	PC.
061		2	265095-2	PAN HEAD SCREW M3X20	8	PC.
062			267276-4	FLAT WASHER 18	1	PC.
063			125191-7	GEAR ASS'Y C	1	PC.
		INC.		Item No. 44-52		

ACCESSORIES

- See catalogue or visit www.makita.ca for more optional accessories -

A01		1	765025-8	TORQUE ADJUST TOOL	1	PC.
		2	765027-4	TORQUE ADJUST TOOL	1	PC.
A02			193531-7	9.6V NI-MH BATTERY BH0920A	1	PC.
			193536-7	9.6V NI-MH BATTERY BH0933A	1	PC.
A03			DC24SC	CHARGER DC24RA	1	PC.
			DC18SD	STANDARD CHARGER DC18SD	1	PC.
			DC18SE	AUTOMOTIVE CHARGER DC18SE	1	PC.
			DC18RC	RAPID CHARGER DC18RC	1	PC.
A04			193681-8	REFRESHING ADAPTOR ADP03	1	PC.
A05			418423-2	PROTECTOR (YELLOW)	1	PC.
			418424-0	PROTECTOR (BLUE)	1	PC.
			418425-8	PROTECTOR (RED)	1	PC.
A06			193874-7	GRIP BASE SET	1	PC.
		INC.	266287-6	SQUARE HEAD BOLT M6X25	1	PC.
		INC.	317552-7	GRIP BASE	1	PC.
		INC.	345381-8	BELT	1	PC.
A07			273443-1	GRIP 37	1	PC.